



**SERVICE MANUAL  
PARTS LIST**

**WET / DRY VACUUM CLEANER**

**MODELS:**

**AI-1260P  
AI-1660P  
AI-1960P**

**SERVICE**

KOBLENZ ELECTRICA S.A. DE C.V.  
E-mail: [thorne\\_scsm@koblenz-electric.com](mailto:thorne_scsm@koblenz-electric.com)

LP-AI-200806

## INDEX

	PAGE
I.- FINAL PRODUCT SAFETY TEST	3
II.- HEAD REPLACEMENT PROCEDURES	3
III.- TROUBLE SHOOTING CHART	5
IV.- VACUUM CLEANER ASSEMBLY	6
V.- VACUUM CLEANER PARTS LIST	7
VI.- HEAD ASSEMBLY	9
VII.- PART LIST AND HEAD ASSEMBLY	10
.VIII- SQUEEGEE ASSEMBLY	11
IX- SQUEEGEE PARTS LIST	12
X.- HOW TO INSTALL THE 28.5" SQUEEGEE	13
XI.- WIRING DIAGRAM	15
XII.- ELECTRICAL RATING	15

## I.- FINAL TEST FOR PRODUCT SAFETY

At the completion of any repair the product should be electrically tested for running and electric strength as follows

### 1.- ELECTRIC TEST

- 1).- Set high-pot test meter at 1500 volts.
- 2).- Turn switch to ON-position.
- 3).- Touch one probe of tester to one blade of power cord plug and touch other probe to handle tube, there should be no breakdown.

### 2.- OPERATING TEST

Run the machine and check the suction at hose intake.

- 1).- There should be no abnormal noise or vibration
- 2).- With the intake open the current shall be no more than 9.0 A.
- 3).- With the intake closed the current shall drop to aprox. 5.5 A.

## II.-REPLACEMENT PROCEDURES

### 1.- TO REPLACE THE MOTOR (71)

- 1.1.- Remove de head assembly from the machine.
- 1.2.- Remove de six screws (61) around the head.
- 1.3.- Lift the head cover (65) and disconnect the motor and ground lead (87).
- 1.4.- Remove the noise reductor (88) the motor cover (68) the motor gasket (70) and the noise reductor (89).
- 1.5.- Replace the motor (71) making sure the motor gasket, to motor protector are placed into the motor base (72).
- 1.6.- Reconnect and reassemble.

NOTE: Do not attempt to repair the motor send for service.

### 2.- TO REPLACE THE ONE CORD (83)

- 2.1.- Follow steps 1.1 and 1.2
- 2.2.- Lift cover as far as wiring permits.
- 2.3.- Remove the line cord using HEYCO pliers and separate the line cord (83).
- 2.4.- Replace the line cord at the same distance from the end as before
- 2.5.- Using the Heyco pliers inserts the gromet on the head cover
- 2.6.- Reconnect and reassemble

### 3.- TO REPLACE THE ON-OFF SWITCH (67)

- 3.1- Follow steps 2.1 and 2.2
- 3.2.- Press the side tabs on the switch and pull it out of the head cover
- 3.3.- Replace the new switch pressing it on opening until the tabs snap and reconnect the leads.

### 4.- TO REPLACE THE PLASTIC COVER (55)

- 4.1.- Remove the head assembly from the machine.
- 4.2.- Remove the four screws (54) and lift the plastic cover handle (53) and the noise reductor (56).
- 4.3.- Replace the plastic cover making sure put the noise reductor and the handle.

### 5.- TO REPLACE THE COVER HANDLE (53)

- 5.1.- Follow steps 4.1 and 4.2.
- 5.2.- Replace the cover handle.

### 6.- TO REPLACE THE COOLING VENTS (60)

- 6.1.- Remove the two screws (59) on the cooling vents and remove it
- 6.2.- Replace the new vents and screws.

### 7.- TO REPLACE VENT SEAL (81)

- 7.1.- Follow steps 4.1 and 4.2
- 7.2.- Remove seal from motor cover (65).
- 7.3.- Place new seal.

### 8.- TO RE PLACE SPONGE FILTER (90)

- 8.1.- Remove head.
- 8.2.- Remove filter (2) from cage (78).
- 8.3.- Remove sponge filter (90).

- 9.- TO REPLACE THE SUCTION BASE (5)
  - 9.1.- Remove the head assembly from the machine.
  - 9.2.- Remove the four screws (20) and the diffuser elbow (23) and the suction coupling (24).
  - 9.3.- Replace the new suction base (5) placing the seal base (4) reassemble.
- 10.- TO REPLACE THE COVER LATCH (ONLY PLASTIC TANK) (3)
  - 10.1.- Remove the head assembly from the machine
  - 10.2.- Remove the tree screws (48) and remove the cover latch with components 3A, B, C, D, E and F.
  - 10.3.- Replace the new cover latch assembly
- 11.- TO REPLACE THE COVER LATCH ASSEMBLY (ONLY METAL TANK) (3)
  - 11.1.- Remove the head assembly from the machine
  - 11.2.- Remove the rivet (3-E) and the hook assembly (3).
  - 11.3.- Replace the new cover latch with new rivets.
- 12.- TO REPLACE THE REAR WHEELS (11)
  - 12.1.- Remove the screw (8) with the washer (9) and (10)
  - 12.2.- Pull out the wheel and replace.
- 13.- TO REPLACE THE FRONT WHEELS (30)
  - 13.1.- Remove the acorn nut (13) flat washer (49) and remove the wheel.
  - 13.2.- Replace the new wheel making sure lo put the washer (14) and (49).
- 14.- TO REPLACE THE FRONT BUMPER (15)
  - 14.1.- Remove the six screws (16).
  - 14.2.- Remove the bumper and replace.
- 15.- TO REPLACE THE DRAIN ELBOW (40-A) ONLY MODELS AI-1960 AND 1660
  - 15.1.- Remove the head assembly from the machine.
  - 15.2.- Remove the drain hose (37).
  - 15.3.- Remove the Hex nut (43) and the gasket (42).
  - 15.4.- Remove the elbow (40-A) and the gasket (41) and the hex nut (40-B).
  - 15.5.- Replace the elbow making sure to put the gaskets.
- 16.- TO REPLACE THE TANK ASSEMBLY (7)
  - 16.1.- Remove the head assembly from the machine.
  - 16.2.- Remove the two screws (18), the four screws (29), and the washers (28).
  - 16.3.- Replace the new tank assembly following the steps 8,9, 10 and 14
  - 16.4.- Put the screws and washers.
- 17.- TO REPLACE THE CHASSIS ASSEMBLY (46)
  - 17.1.- Follow the step 16.1 and 16.2.
  - 17.2.- Remove the four screws (25), the handle (38), and the label.
  - 17.3.- Remove the screws (8) with the washer (9) and (10) and "c" washer (26).
  - 17.4.- Remove the six screws (16).
  - 17.5.- Replace the new chassis.

### III.- TROUBLE SHOOTING CHART

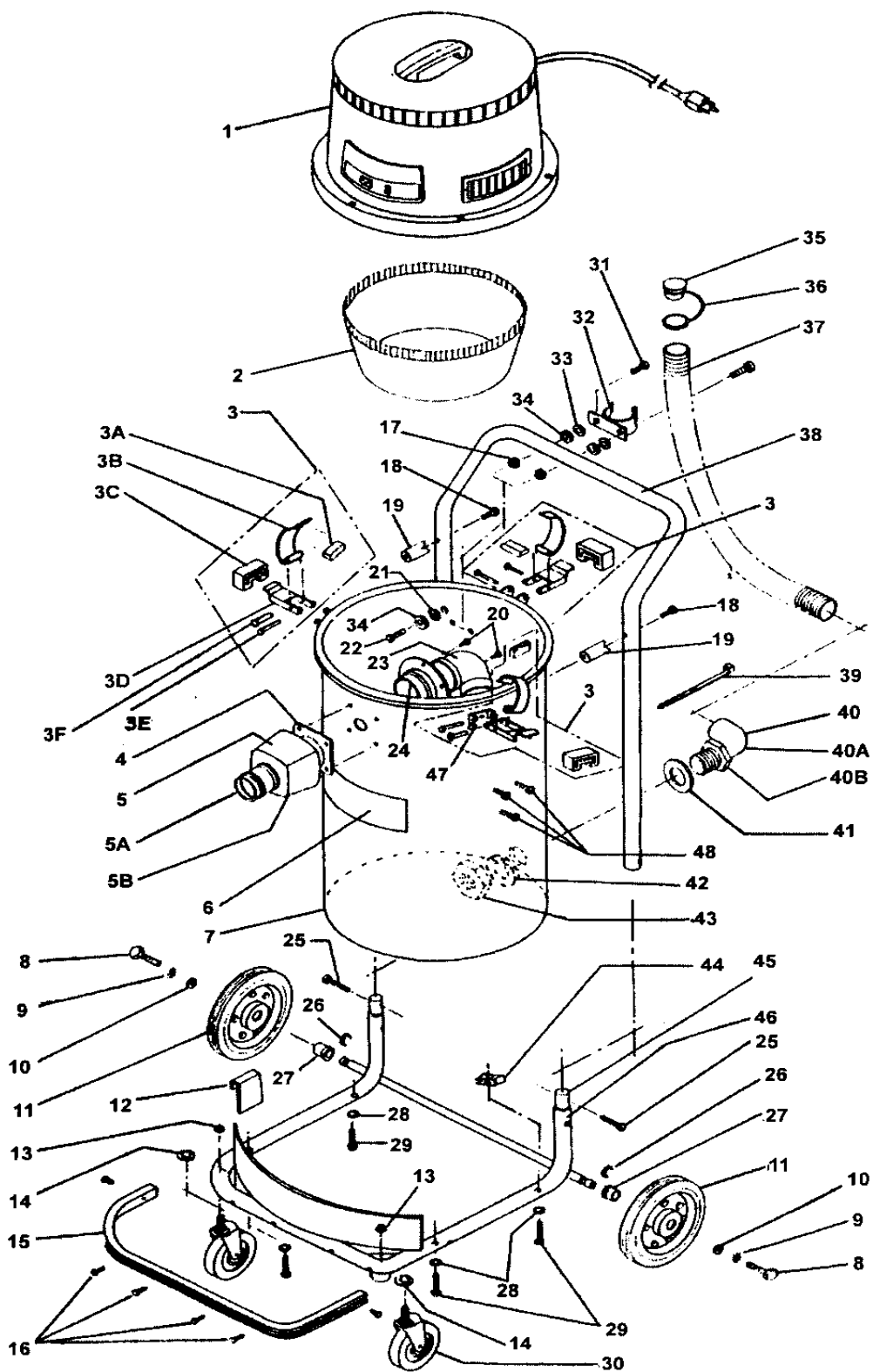
PROBLEM	POSSIBLE CAUSE	SOLUTION
A) Motor does not run	1.- Not firmly plugged in.	1.- Check attachment plug.
	2.- Bad ON-OFF switch.	2.- Replace switch.
	3.- Line cord open	3.- Replace cord.
	4.- Motor open	4.- Check motor and wiring.
B) Motor runs but cleaner does not pick-up	1.- Dust filter bag closed.	1.- Clean filter bag.
	2.- Hose or wand closed	2.- Clean obstruction.
	3.- Motor slow	3.- Check carbon brushes.
	4.- Tank full	4.- Empty tank.
	5.- Float valve up.	5.- Check float valve.
	6.- Damaged motor base gasket or head gasket	6.- Check gaskets
C) Motor runs erratically	1.- Worn carbon brushes.	1.- Replace carbon brushes.
	2.- Defective armature.	2.- Replace armature.

**WHEN ORDERING ,DO NOT FORGET TO SPECIFY :**

- ✓ PART NUMBER
- ✓ DESCRIPTION
- ✓ MODEL NUMBER

**NOTE: Drawing numbers are for identification purposes only.**

# IV.- VACUUM CLEANER ASSEMBLY

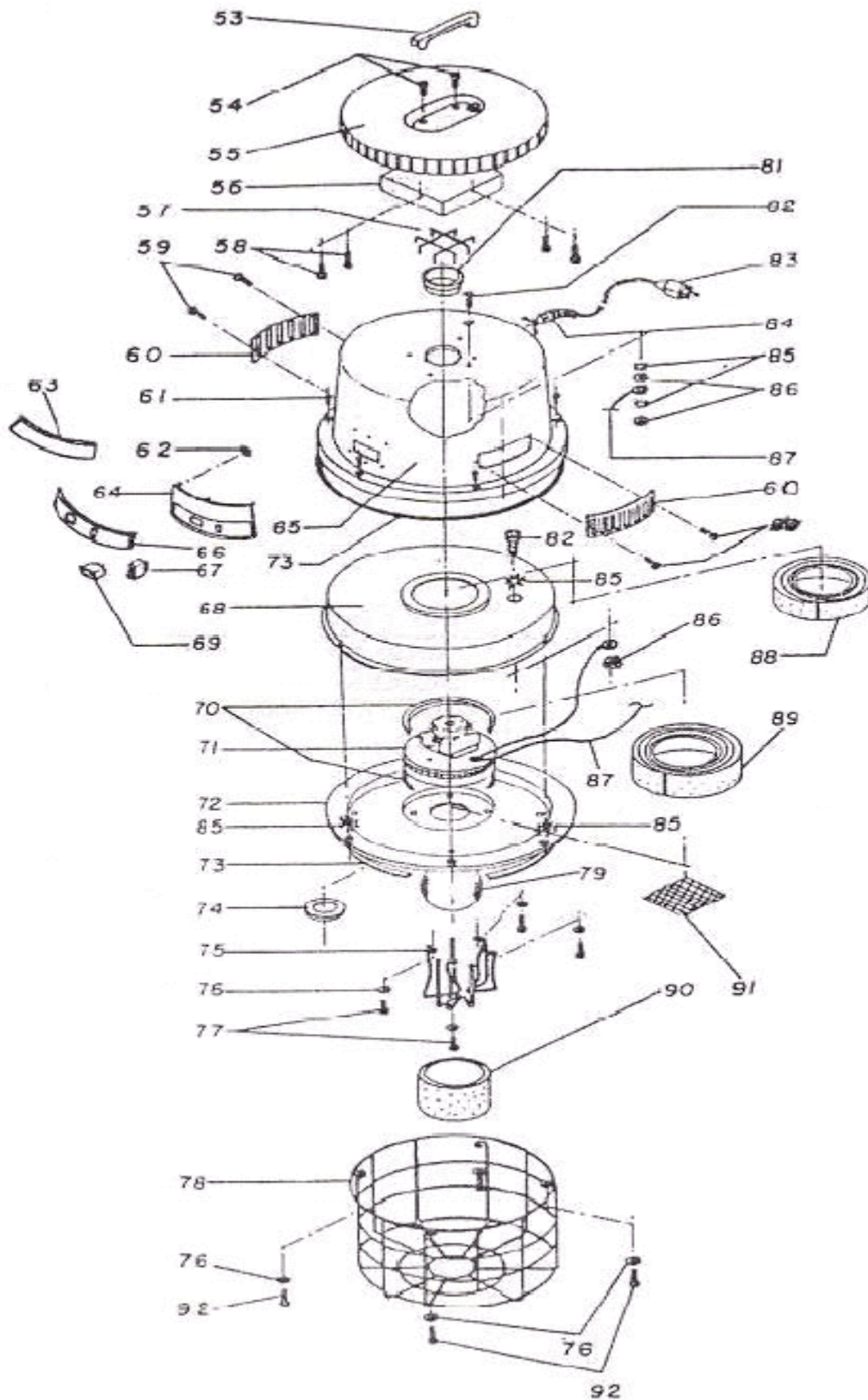


## V.-VACUUM CLEANER PARTS LIST

No.	PART. No.	DESCRIPTION	AI-1260 P	AI-1660 P	AI - 1960 P
1	46-2310-4	HEAD ASSEMBLY	1	1	1
2	45-0479-1	BAG ASSEMBLY	1	1	1
3	45-0453-6	COVER LATCH ASSEMBLY	3	3	3
3A	12-0682-0	LATCH GROMET	3	3	3
3B	05-3754-8	LATCH HOOK	3	3	3
3C	12-0392-6	LATCH GROMET	3	3	3
3D	05-2241-7	LATCH LEVER	3	3	3
3E	03-0419-6	RIVET 1/8 X 1 1/8	3	3	3
3F	03-0418-8	RIVET 1/8 X 7/8	3	3	3
4	12-0582-2	SUCTION BASE GASKET	1	1	1
5	46-1883-1	SUCTION BASE ASSEMBLY 1 1/2	1	1	1
5A	05-2749-9	COUPLING TUBE	1	1	1
5B	06-0483-5	SUCTION BASE	1	1	1
6	17-3360-9	TANK LABEL	1	1	1
7	46-2171-0	TANK ASSEMBLY 1960P	1		
7	46-2168-6	TANK ASSEMBLY 1660P		1	
7	46-2167-8	TANK ASSEMBLY 1260P			1
8	01-0873-8	SCREW 1/4 - 20 X 1/2	2	2	2
9	04-0270-1	STAR WASHER 1/4	2	2	2
10	04-0078-8	FLAT WASHER	2	2	2
11	46-2281-7	REAR WHEEL 10"	2	2	2
12	12-0487-4	CHASSIS BUMPER	1	1	1
13	02-0119-4	ACORN NUT 3/8 - 16	2	2	2
14	04-0486-3	STAR WASHER 3/8	2	2	2
15	12-0503-8	FRONT BUMPER	1	1	1
16	01-0267-3	SCREW No. 4 X 1/2	8	8	8
17	02-0038-6	HEXAGONAL NUT 8-32 INOX	2	2	
18	01-1819-0	SCREW# 10-24 X 11/4 GALV.	2	2	2
19	25-1121-0	UPPER HANDLE SUPPORT	2	2	2
20	01-1375-3	SCREW # 8-32 X 3/4 INOX	6	6	
20	01-1376-1	SCREW# 8-32 X 3/8 INOX			4
21	04-0430-1	RUBBER WASHER 1/8 X 3/16 X 1/2	4	4	4
22	01-1818-2	SCREW# 10-24 X 3/4 INOX.	2	2	2
23	13-1830-2	DRAIN ELBOW	1	1	1
24	13-1485-5	COUPLING ELBOW	1	1	1
25	01-1817-4	SCREW# 10-24 X 1/2	4	4	4
26	04-0240-4	RETAINING RING	2	2	2
27	25-1042-8	WHEEL SPACER	2	2	2

No.	PART. No.	DESCRIPTION	AI-1260 P	AI-1660 P	AI - 1960 P
28	04-0026-7	FLAT WASHER .203 X 1/2	4	4	4
29	01-0761-5	SCREW# 10-32 X 11/4"	4	4	4
30	27-0197-7	FRONT WHEEL	2	2	2
31	01-1378-7	SCREW# 8 - 32 X 1/2INOX.	4	4	4
32	13-1548-0	RETAINING HOSE	1	1	
34	04-0068-9	FLAT WASHER .203 X 1/2	4	4	2
35	12-0661-4	DRAIN PLUG	1	1	
36	12-0659-8	RETAINING PLUG	1	1	
37	12-0658-0	DRAIN HOSE	1		
37	12-0674-7	DRAIN HOSE 16 GAL.		1	
38	05-3709-2	HANDLE	1		
38	05-3711-8	CHROME HANDLE 1660		1	
39	13-1824-5	HOSE RETAINING	1	1	
40	46-2303-9	DRAIN ELBOW ASSEMBLY	1	1	
40A	13-1762-7	DRAIN ELBOW	1	1	
40B	13-1773-4	ELBOW BASE	1	1	
41	12-0657-2	ELBOW GASKET	1	1	
42	12-0679-6	ELBOW GASKET	1	1	
43	13-1761-9	P.V.C. HEX. NUT	1	1	
45	25-1022-0	CHASSIS HAN OLE COUPLING	2	2	2
46	23-0556-3	CHASSIS HANDLE ASSEMBLY	1	1	1
47	05-3505-4	HOOK SUPPORT	3	3	3
48	01-0852-2	SCREW # 8-32 X 3/8	9	9	9
49	04-0079-6	FLAT WASHER .390 X 3/4	2	2	2

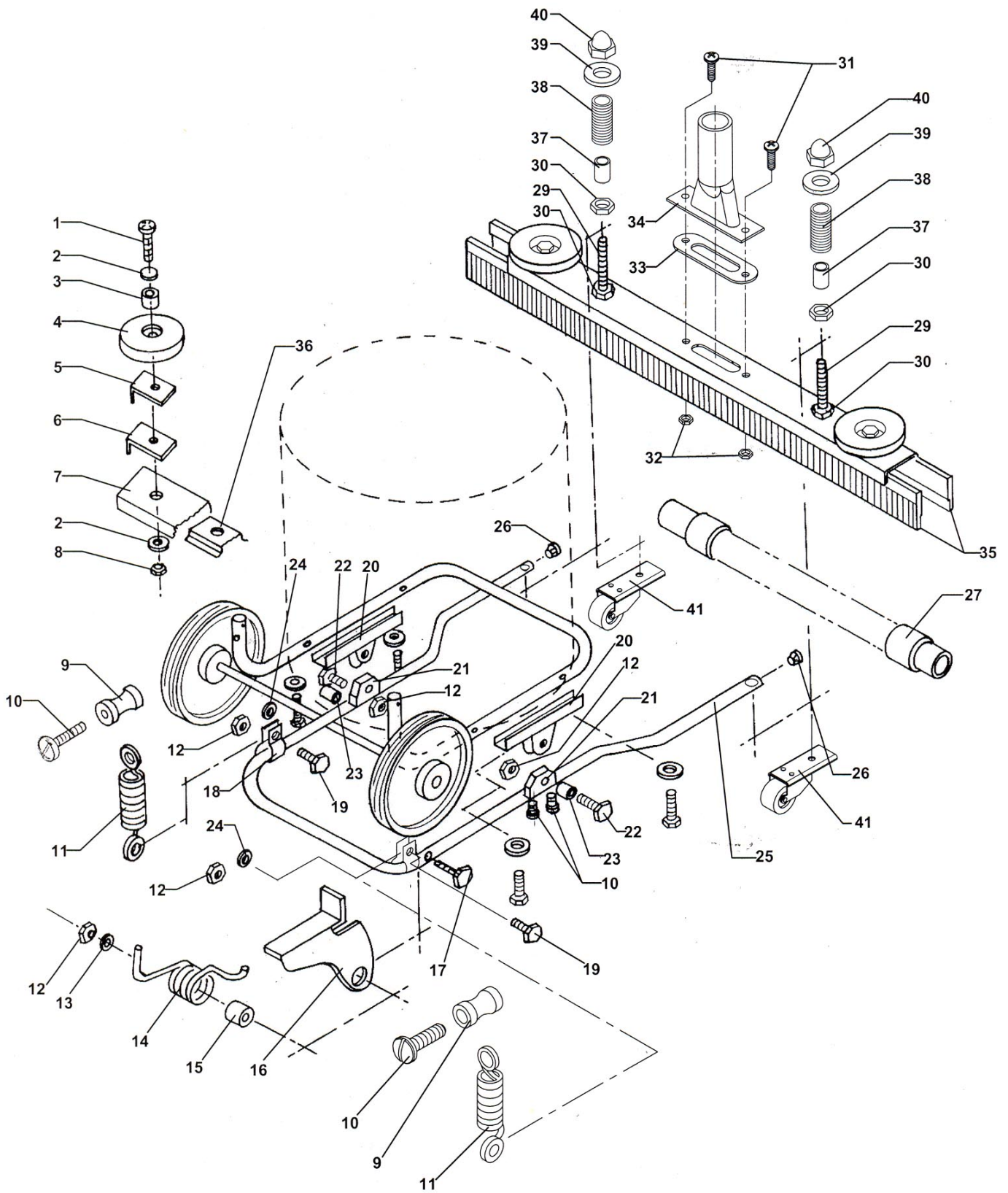
# VI.- HEAD ASSEMBLY



## VII.- PARTS LIST AND HEAD ASSEMBLY

No.	PART. No.	DESCRIPTION	AI-1260 P	AI-1660 P	AI - 1960 P
53	13-1676-9	COVER HANDLE	1	1	1
54	01-1659-0	SCREW # 10 X 11/4"	4	4	4
55	13-1675-1	PLASTIC COVER	1	1	1
56	12-0693-7	FOAM FILTER S/UL	1	1	1
57	05-3755-5	CAGE	1	1	1
58	01-0293-9	SCREW# 10 X ¾	4	4	4
59	01-0558-5	SCREW # 6 X 318	4	4	4
60	13-1114-1	COOLING VENTS	2	2	2
61	01-1251-6	SCREW # 8-32 X 318	6	6	6
62	02-0147-5	FAST NUT	6	6	6
63	17-3344-3	LABEL	1	1	1
64	13-1687-6	CONTROL PANEL	1	1	1
65	05-3574-0	HEAD COVER	1	1	1
66	17-3285-8	PANEL LABEL	1	1	1
67	11-0138-5	SWITCH	1	1	1
68	05-3579-9	MOTOR COVER	1	1	1
70	12-0011-2	MOTOR GASKET	2	2	2
71	01-1960-4	MOTOR PACK BY-PASS MA-70-B	1	1	1
72	23-0558-9	MOTOR BASE	1	1	1
73	12-0340-5	COVER BASE GASKET	1.35	1.35	1.35
74	12-0680-4	FLOAT GASKET	1	1	1
75	23-0559-7	CAGE FLOAT	1	1	1
76	04-0068-9	FLAT WASHER	8	8	8
77	01-0295-4	SCREW # 10 X 3/8	4	4	4
78	23-0580-3	BAG CAGE FILTER	1	1	1
79	82-5738-8	FLOAT	1	1	1
81	12-0323-1	COOLING AIR GASKET	1	1	1
82	01-1249-0	SCREW #8-32 X 318	3	3	3
83	28-0641-2	L1NE CORD ASSEMBLY	1	1	1
84	12-0605-1	HEYCO GROMMET	1	1	1
85	04-0276-8	STAR WASHER	7	7	7
86	02-0007~1	HEXAGONAL NUT 8-32	4	4	4
87	28-0488-8	GROUND MOTOR LEAD	1	1	1
88	12-0654-9	NOISE REDUCTOR	1	1	1
89	12-0655-6	NOISE REDUCTOR	1	1	1
90	12-0490-8	FOAM FILTER	1	1	1
91	05-3743-1	PROTECTOR VENT	1	1	1
92	01-0292-1	SCREW# 10 X ½	4	4	4

# VIII.-SQUEEGEE ASSEMBLY

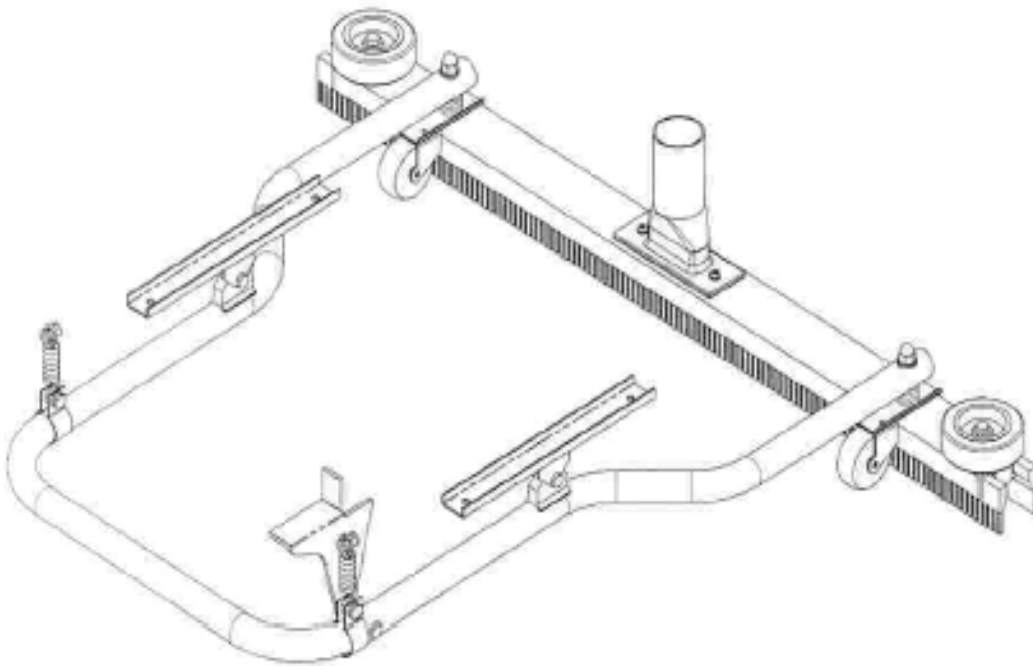


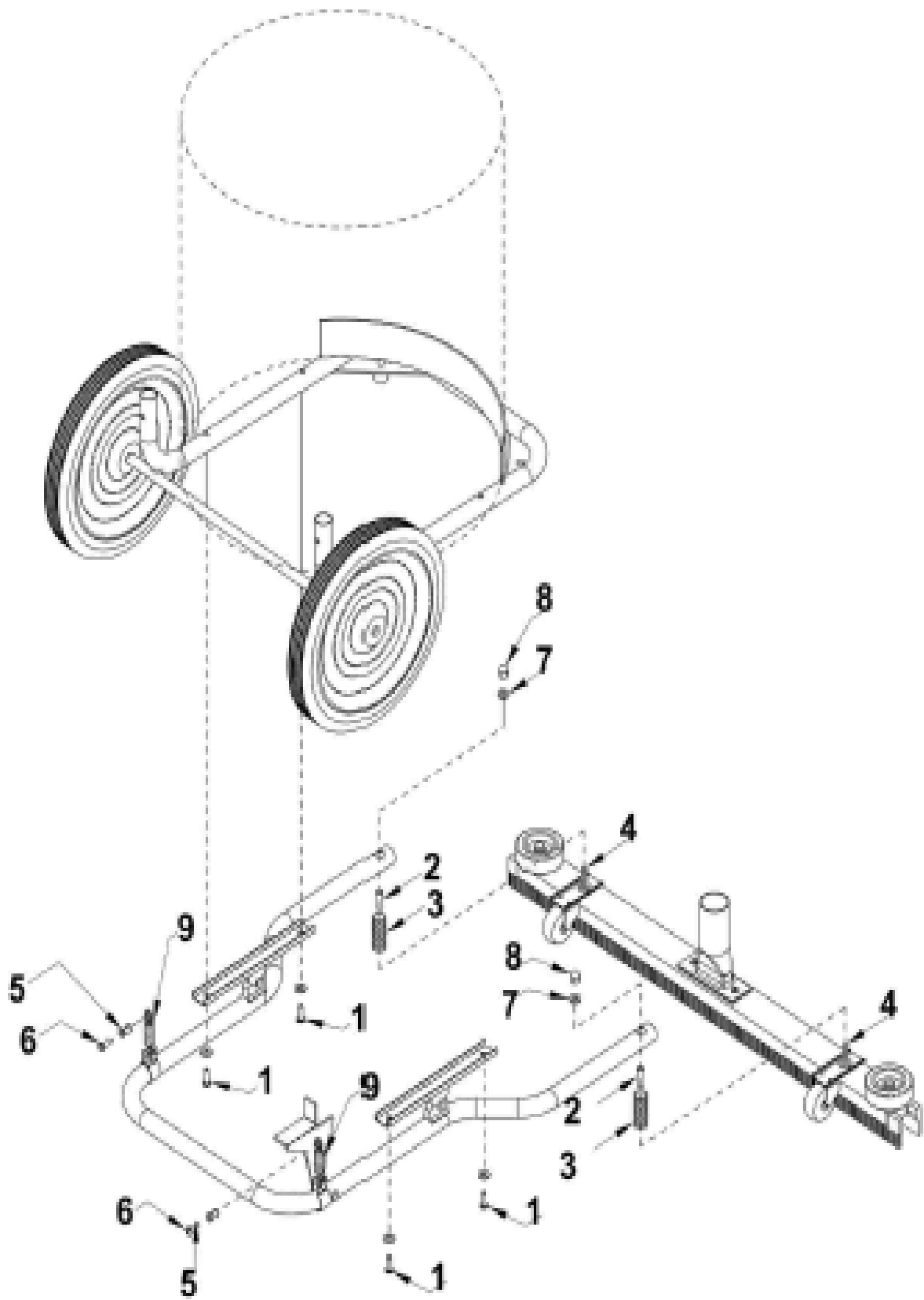
**IX.- SQUEEGEE LIST PARTS**

<b>No</b>	<b>PART NUMBER</b>	<b>DESCRIPTION</b>
1	01-1379-9	HEX. SCREW 5/16X 1 ¼
2	04-0047-3	FLAT WASHER 5/16
3	05-3660-7	BUMPER BUSHING
4	12-0676-2	PROTECTIVE BUMPER
5	05-3651-6	END PLATE
6	08-1870-8	END MYLAR
7	07-0601-0	OUTSIDE ALUMINUM CANAL
8	02-0014-7	HEX NUT 5/16-18
9	25-1144-2	SPRING SUPPORT
10	01-0761-5	SLOT SCREW 10-24 X1 ¼
11	24-0276-6	SPRING
12	02-0092-3	HEX LOCKET NUT ¼-20
13	04-0078-8	FLAT WASHER 1/4
14	24-0282-4	FOOT PEDAL SPRING
15	05-2229-2	BUSHING
16	23-0554-8	FOOT PEDAL
17	01-0870-4	HEX SCREW ¼-20 X 1 ¾
18	05-3827-2	SPRING RETAINING
19	01-0883-7	HEX SCREW ¼-20 X ¾
20	23-0598-5	UPPER HINGE
21	06-0742-4	LOWER HINGS
22	01-0874-6	HEX SCREW ¼-20X1
23	05-1008-1	BUSHING
24	05-222-4-3	BUSHING
25	05-3824-9	SQUEEGEE CHASIS
26	05-3661-5	BOTTOM PLUG
27	45-0429-6	HOSE ASM
28	13-1702-3	HEX. SCREW ¼-20 X 1 1/4
29	01-0884-5	HEX. SCREW ¼-20 X 1 1/4
30	02-0034-5	HEX NUT ¼-20
31	01-1252-4	SLOT SCREW 10-24X1/2
32	02-0015-4	HEX NUT 10-24
33	12-0648-1	GASKET
34	23-0555-5	NOZZLE ASM
35	12-0623-4	SQUEEGEE BLADE
36	07-0602-8	INSIDE ALUMINUM CANAL
37	26-0222-5	SQUEEGEE SPICER
38	24-0297-2	SQUEEGEE SPRING
39	04-0078-8	FLAT WASHER 0.260 X 11/16
40	02-0210-1	HEX NUT ¼-20
41	46-3325-1	SQUEEGEE WHEEL ASSEMBLE

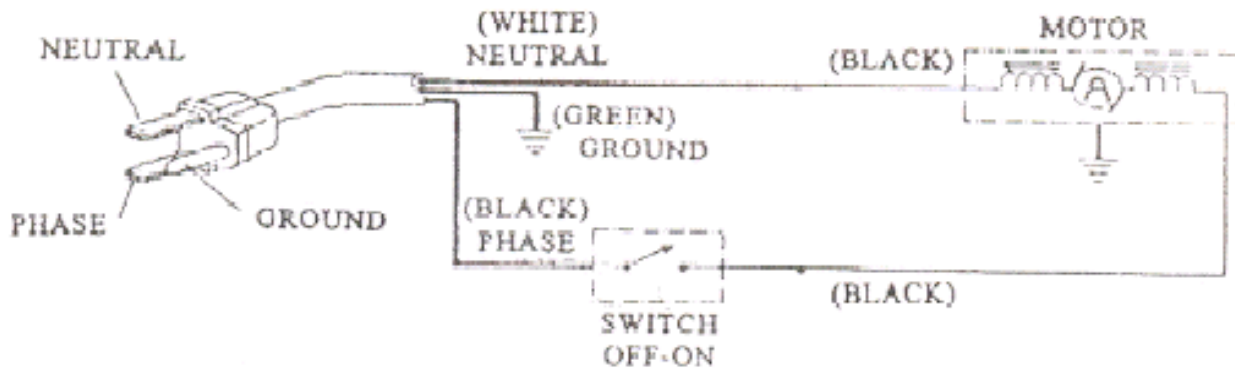
## X.-HOW TO INSTALL THE 28.5" SQUEEGEE

- 1.- Remove the four screws ( 1 ) that retain the tank
- 2.- Place the separators ( 2 ) and spring loops ( 3 ) in the screw ( 4 )
- 3.- Place the squeegee and fix it with the flat washer ( 7 ) and the nut ( 8 )
- 4.- Place the squeegee with the four screws ( 1 ) that retain the tank
- 5.- Remove the screw that joint the handle
- 6.- Place the separator with the large screw
- 7.- Place the spring loop ( 9 ) on the separator





## XI.- WIRING DIAGRAM



## XII.- ELECTRICAL RATING

MODEL	CAPACITY	V~	A	Hz
AI-1260P	12 Gal.	127	9	60
AI-1660P	16 Gal.	127	9	60
AI-1960P	19 Gal.	127	9	60



FACTORY AUTHORIZED SERVICE

Thorne Electric Company  
610 Lanark Suite 205  
San Antonio TX ,78218  
Tel (210) 590-1226  
Fax (210) 590-1258  
1-800-548-5741

FACTORY

Koblenz Electrica ,S.A. de C.V.  
Av. . Ciencia No 28 Cuautitlán Izcalli  
Edo. de México ,C.P. 54730  
Tel : 5864-0300  
Web site : <http://www.koblenz.electric.com>

SERVICE

KOBLENZ ELECTRICA S.A. DE C.V.  
E-mail: [servicio@koblenz-electric.com](mailto:servicio@koblenz-electric.com)

LP-AI-200806